

CD 5-120 and CI 5-120 Conventional Roller Beds

- Robust design with durable rollers.
- Gritblasted steelwork with polyurethane finished coating to endure the abrasive environment of offshore and marine industries.
- Over sized bearings.
- Special formulated high-load polyurethane tire design for high wear resistance.
- Cast steel gearbox with double worm gear arrangement for smooth operation and minimum backlash.
- Solid state inverter for precise speed control.
- Motorised and Idler Rail Bogie versions.



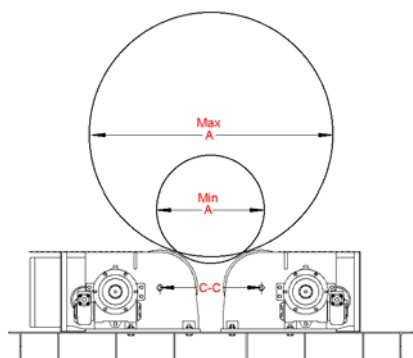
Applications

- **Wind Tower Fabrication**
- **Offshore and Shipyards**
- **Pressure Vessels**
- **Pipe Lines**



Technical data

Model		CD/CI-5	CD/CI-10	CD/CI-15	CD/CI-30	CD/CI-60	CD/CI-100	CD/CI-120
Max loading capacity tons/section	Drive unit	2.5	5	7.5	15	30	50	60
	Idler unit	2.5	5	7.5	15	30	50	60
Turning Capacity, tons	Drive unit	7	15	25	45	100	150	250
Turning Speed	mm/min	62-618	102-1020	114-1137	130-1300	130-1300	130-1300	130-1300
Vessel Diameter	Min (90°)	148-5287	165-5659	165-5659	469-8366	469-8366	469-8366	469-8366
	Max (30°)							
Power Supply	50Hz/3ph	380/400/415V	380/400/415V	380/400/415V	380/400/415V	380/400/415V	380/400/415V	380/400/415V
	60Hz/3 ph	440/460/480V	440/460/480V	440/460/480V	440/460/480V	440/460/480V	440/460/480V	440/460/480V
Polyurethane Tire Size	Diam/mm	330	330	457	520	520	520	520
	Width/mm	113	2x113	127	178	2x178	3x178	4x178
Fuses	A	16	16	16	16	16	32	50
Control Voltage	V AC	24	24	24	24	24	24	24
Weight, kg	Drive unit	401	506	665	1222	2002	2688	3323
	Idler unit	221	270	348	668	1237	1555	2019
Dimensions LxHxW	Drive unit	2090/540/534	2090/540/564	2465/620/562	2790/765/765	2790/765/933	3400/765/1177	3400/850/1284
	Idler unit	2090/540/386	2090/540/450	2465/620/500	2790/765/700	2790/765/888	2790/765/1080	2900/765/1110
Cable control box	m	10	10	10	10	10	10	10



Ordering Information

Drive unit

Roller bed CD-5	0370 250 000
Roller bed CD-10	0370 250 002
Roller bed CD-15	0370 250 004
Roller bed CD-30	0370 250 006
Roller bed CD-60	0370 250 008
Roller bed CD-100	0370 250 010
Roller bed CD-120	0370 250 012

Idler unit

Roller bed CI-5	0370 250 001
Roller bed CI-10	0370 250 003
Roller bed CI-15	0370 250 005
Roller bed CI-30	0370 250 007
Roller bed CI-60	0370 250 009
Roller bed CI-100	0370 250 011
Roller bed CI-120	0370 250 013

Options

Foot switch	0370 250 301
Synchronise kit	0370 250 302



www.esab.com

